

# ***Remote Anchor Kit***

After a long development process, we are happy to connect 2 great products in one kit. This is the result of Highnovate's constant seeking process for better and safer ways for rope access, combined with many years of water rescue expertise that is brought by Crossline Reach and our home design studio, Convex.

This collaboration allows us to introduce a new practical technique that is applicable for rescue and rope access.

This kit includes a unique, lightweight release mechanism that was tested and found to work perfectly with a lightweight line capture device, all packed in a small, easy-to-carry and quick-to-deploy kit.

With this kit you can wrap an anchor around an object from a far or catch a line easily without risking a rescuer.



The kit includes –

- 1. DropX mini** – A lightweight remote-controlled release mechanism
- 2. Remote control**
- 3. Crossline Reach hook** – a lightweight line capture device
- 4. Carrying case**



### **General Specifications:**

Weight – 525 g

Packed Size – 15X20X6  $cm^3$  (6X7.8X2.4  $in^3$ )



# Crossline Reach Hook

*Securely grab ropes, lines, or cables at a distance on land or in water*

*Collapsed down and is easily stored inside your pfd pocket*

*Reach rope retriever For water rescue*

*Safely access any discharged line remotely via line capture*

*A fast and safe device that works well even in severe gradient and flow conditions.*

## **USES:**

- *To rescue another or rescue yourself*
- *To establish a cross-river line*
- *To retrieve a lost boat or gear*
- *To moor to a line*
- *To establish a mid-stream anchor plus*
- *any line-grabbing job you can think of*



## **Specifications:**

*Cross Reach can support up to 900kg (2000lbs) of pull strength*

*Material –*

*Main body: 6061-T6 aircraft aluminium*

*Spring clips + pins: 304-type stainless steel*

*Deployed size:*

*110X110X100mm (4.3X4.3X4.0in)*

*Stowed size:*

*50X50X100mm (2.0X2.0X4.0in)*

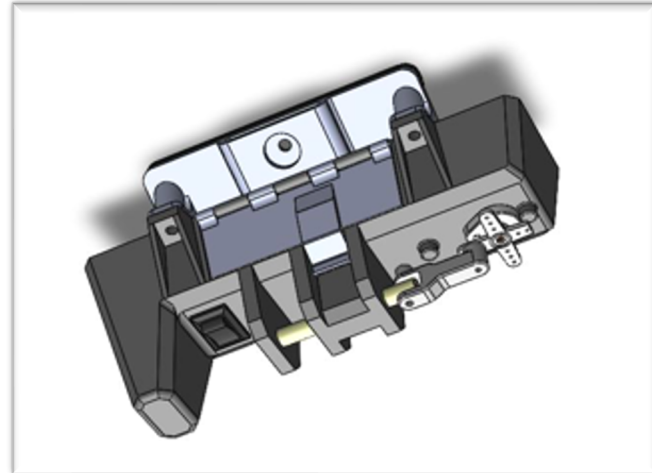
*Weight: 318g (0.7lbs)*

# DropX-Mini designed by conVex

Industrial Design Engineering

Multipurpose Generic release pin mechanism for drones.

This little lightweight device can take your drone to a whole new level of use. A fully independent and easy to use system straps on to various drones and allows you to drag and drop elements anywhere.



## Applications:

- Drop deliveries
- Gear transferring
- Remote anchor placement
- Emergency release pin

## Features & highlights:

- Compact, lightweight ridged design
- Easy “strap on” to DJI Mavic Pro, Mavic 2 and Mavic Air. Easily adaptable to any other drone.
- Redundancy! Fully independent system - No power or communication consumed from the carrying drone.
- Small and handy operation remote.

## Specifications:

- Size: 130x50x48mm (not including drone adapter)
- Weight: 145g (including Mavic adapter)
- Mounting Screw pattern for other adapters:
- Max payload to hang on unit: 2kg (check your drone capabilities first)
- Communication: civilian 433Mhz Operation: single pulse, single way
- Range of operation: 2500m (LOS, when drone is at 50m height)
- Power: 9v standard battery at both airborne unit and hand remote.
- Casing material: Nylon 12, UV resistant.
- Working temps: 0-50°c
- Ip52

